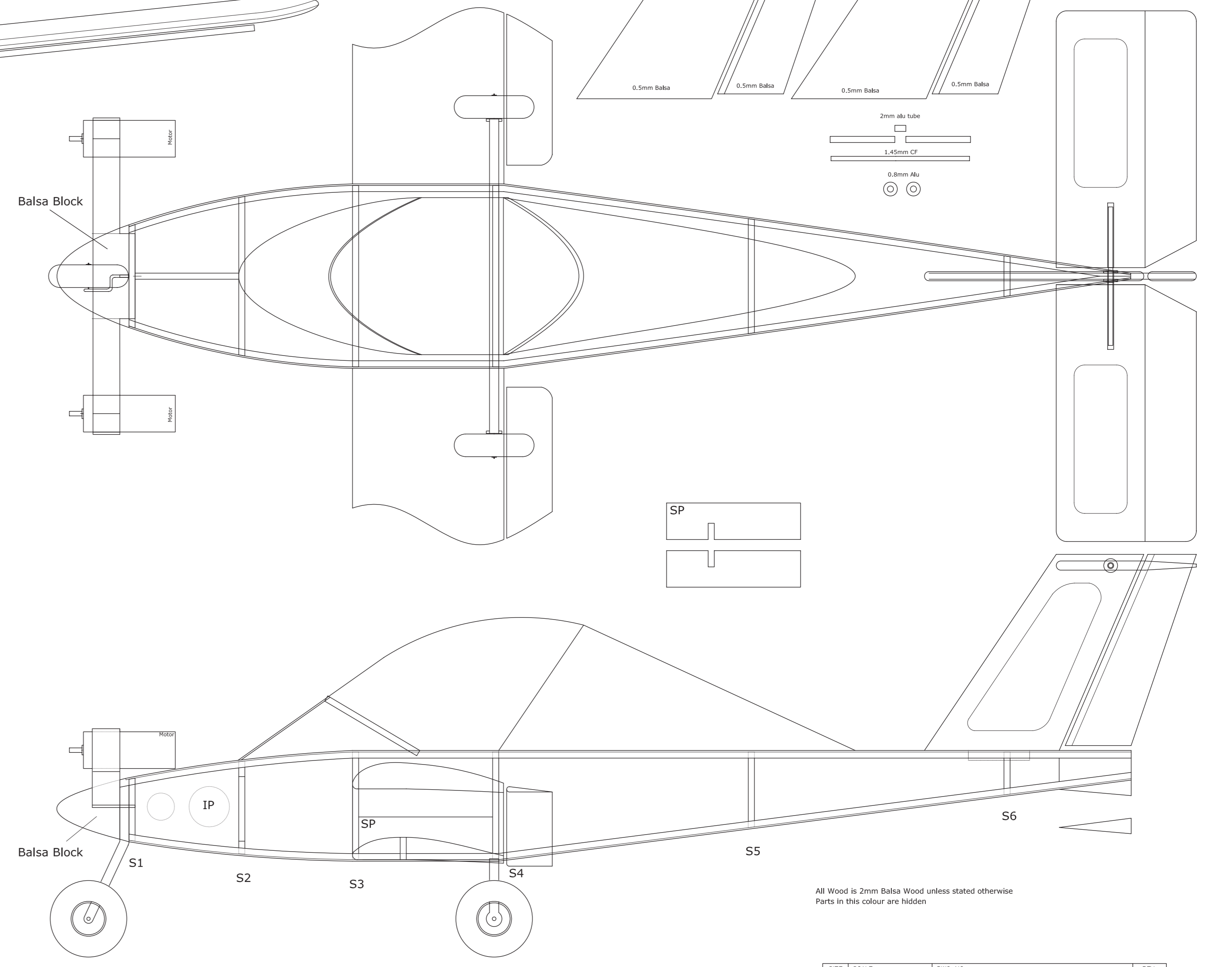
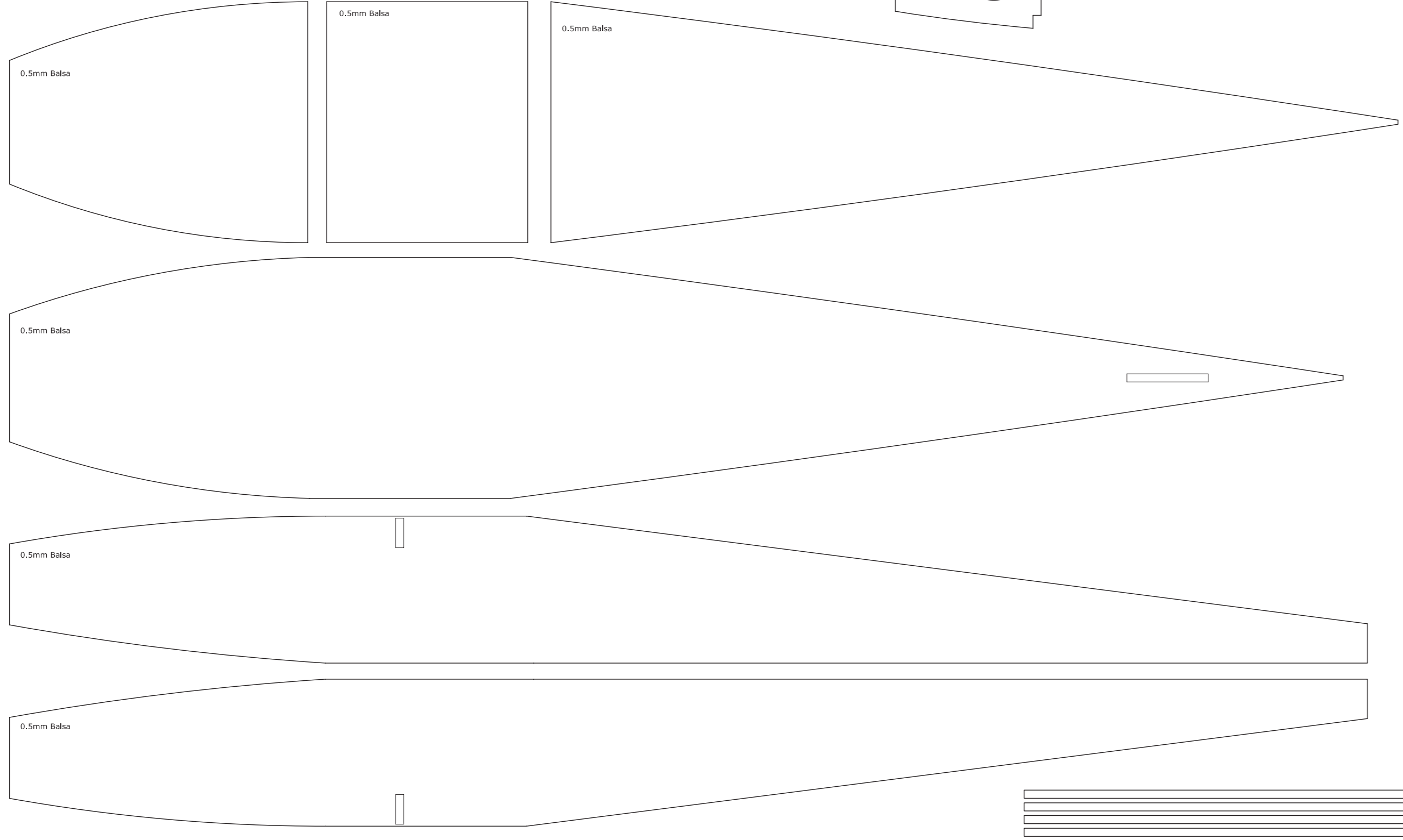
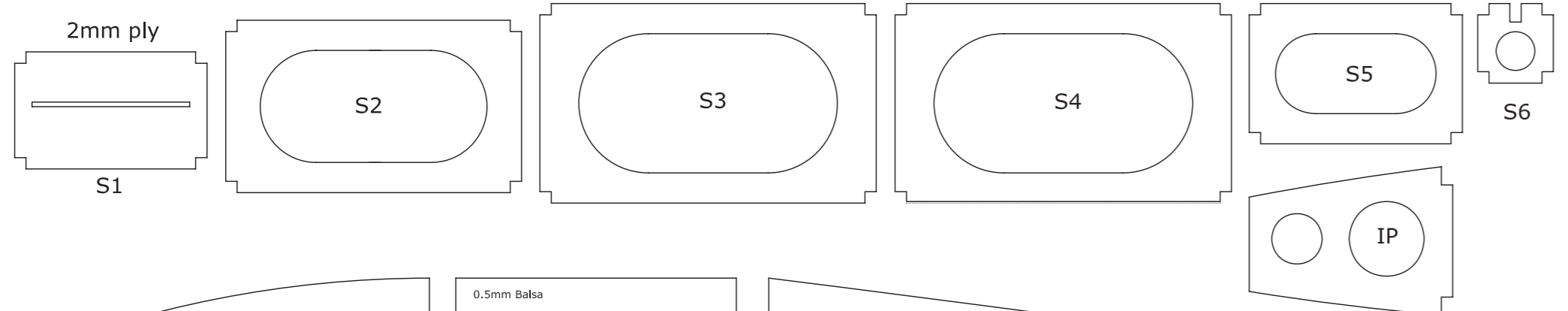
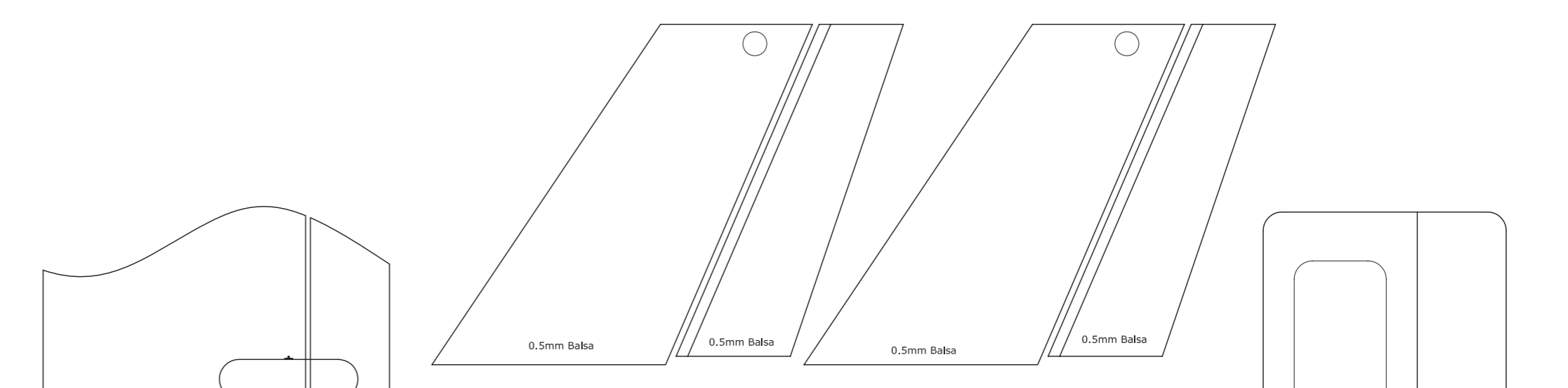
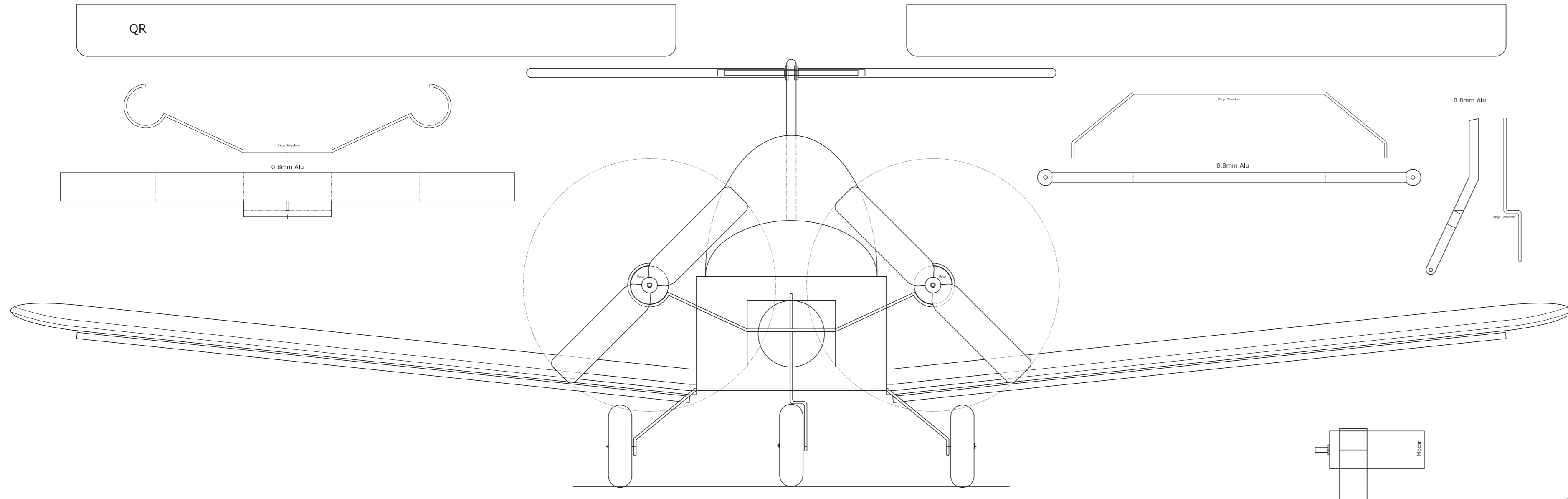
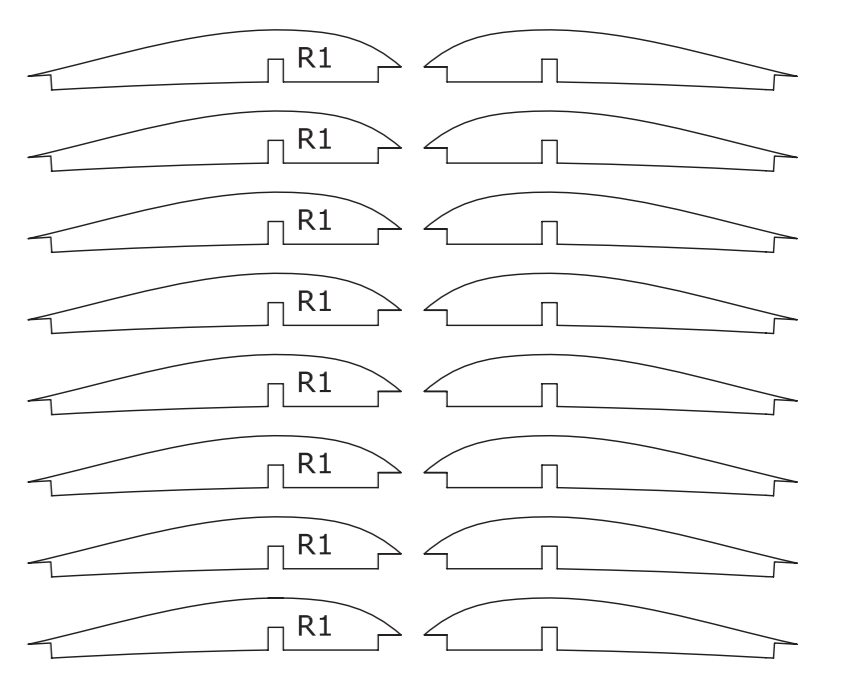
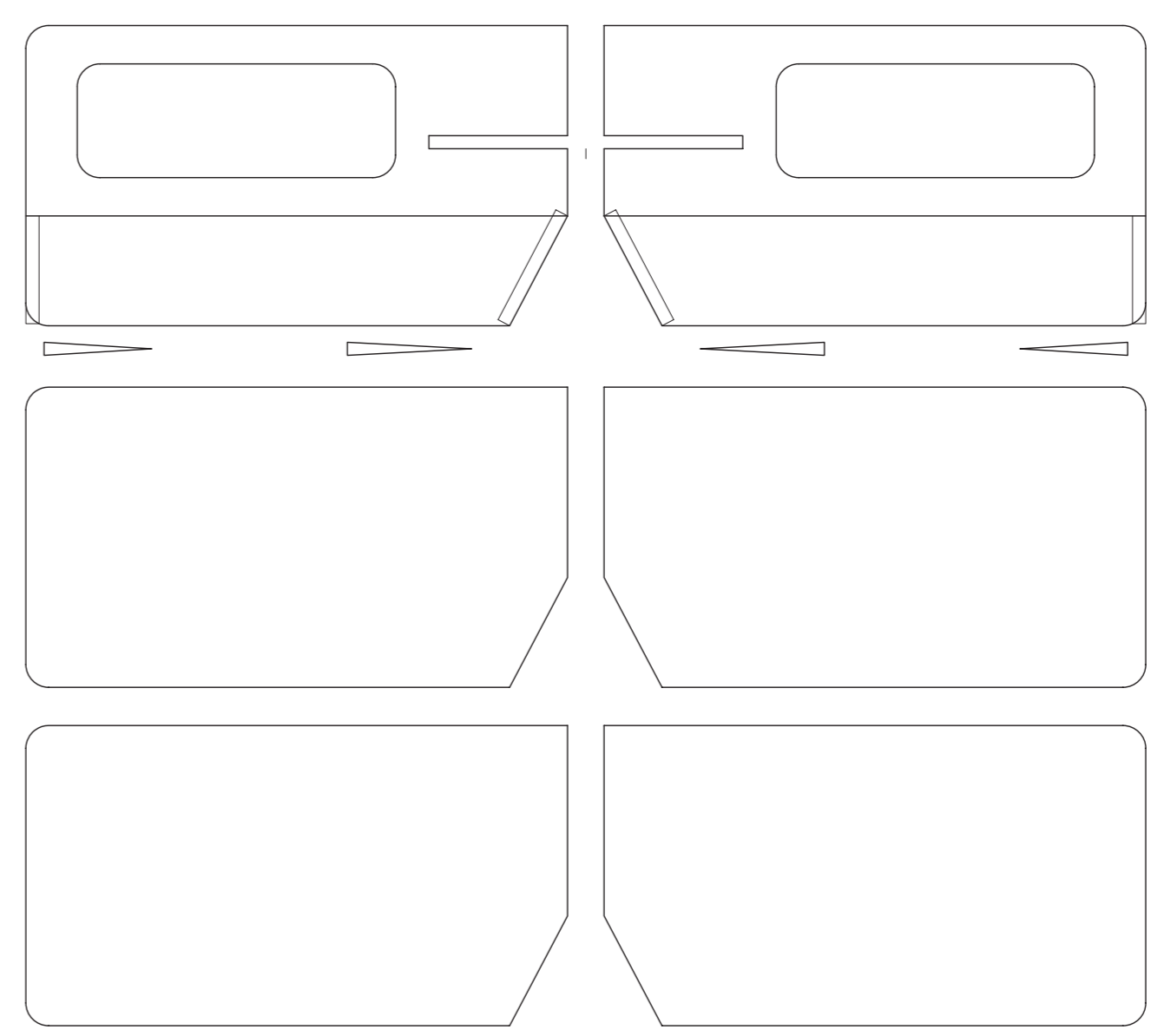
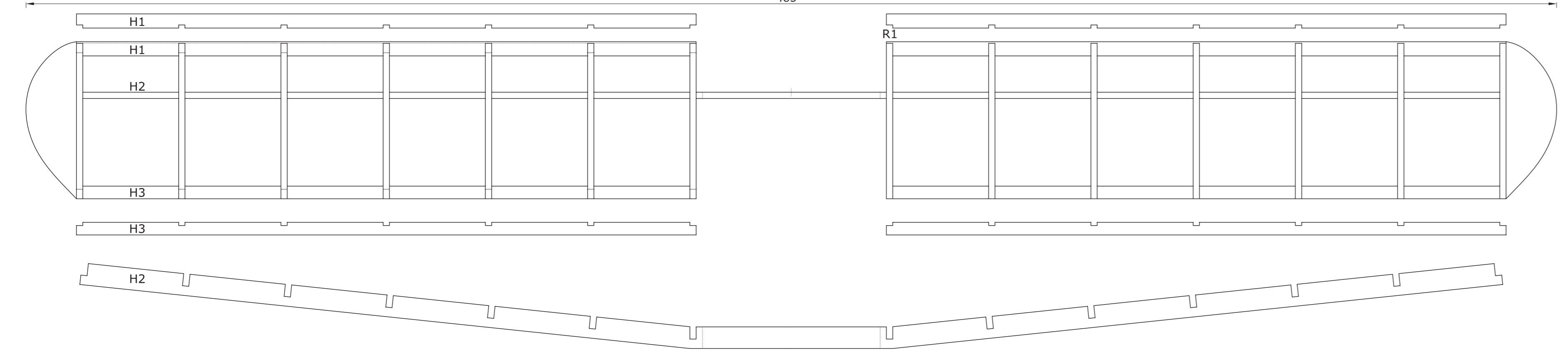


485



All Wood is 2mm Balsa Wood unless stated otherwise
Parts in this colour are hidden

SIZE	SCALE	DWG. NO.	REV
A1	485	Colomban MC10 Cri Cri	1
15/04/2009	Drawn By	Arno Diemer	SHEET 1 of 1